

LED AIRFIELD LIGHTING



12" LED Inset Light-BAT Series

APPROACH

- ILB-APH(L) Approach Center Line Light
- ILB-ASR(L) Approach Side Row Light

- ICAO: Annex 14, Volume 1, 9th. Edition & Aerodrome Design Manual
- EASA: CS-ADR-DSN Issue 6
- IEC: TS 61827
- AENA: DIN-DSEYN-PPT
- TCCA: TP312
- CASA: MOS Part 139
- UK CAA: CAP 168

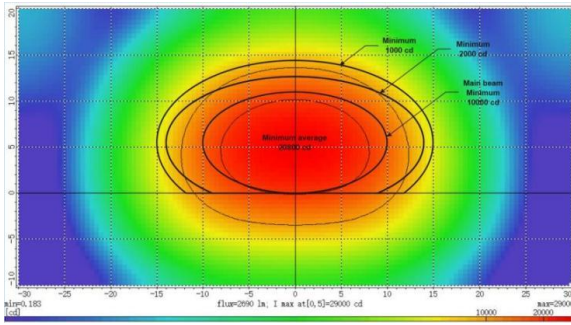
KEY FEATURES

- Ultra-Flat surface-Only 6mm above surface
- Structure, reliable electrical, excellent static load and impact resistance
- Reinforced prism, excellent optical performance, high strength,hardness,wear resistance
- Reinforced cover has high temperature resistance, wear resistance and corrosion resistance
- Construct dexterity-can fit the halogen light shallow base
- Precise optical design and construction, effective and accurate realization of optical configuration requirements
- The vertical coverage of the main beam 0° to 11.5° meet the requirements of the approach light (threshold to 475m)

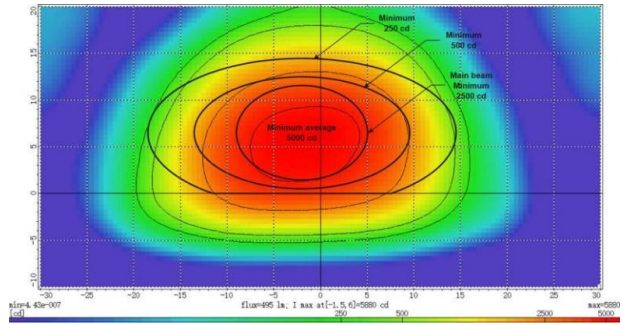
TECHNICAL DATA

MECHANICS		
Diameter	304mm	
Flange Thickness	19mm	
Height Above Surface	6mm	
Static Load Resistance	30.3t	
Shear Load Resistance	1.7t	
Packing Dimensions	390mm×365mm×130mm	
Net Weight	8.7kg	
Gross Weight	9.5kg	
ENVIRONMENTAL		
Operating Temperature	-55°C - +55°C	
Storage Temperature	-55°C - +85°C	
Humidity	0-100%	
Protection Class (Dust/Liquids)	IP68 (IEC 60598-1)	
Surge	6KV, 3KA (IEC 61000-4-5)	
ELECTRICAL		
Connection	FAA L823 Class A, Type II ,Style 6, one Connector	
Power Input	2.8-6.6A _{eff} AC	
Power Factor (Nominal)	> 0.97	
Power Consumption (Nominal)	APH-White	54W
	ASR-Red	29W
Fail Open	Manual reset	
	Automatic reset	
	No Fail Open	

OPTICAL

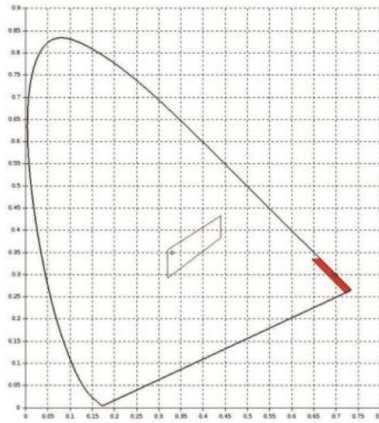


ILB-APH-White

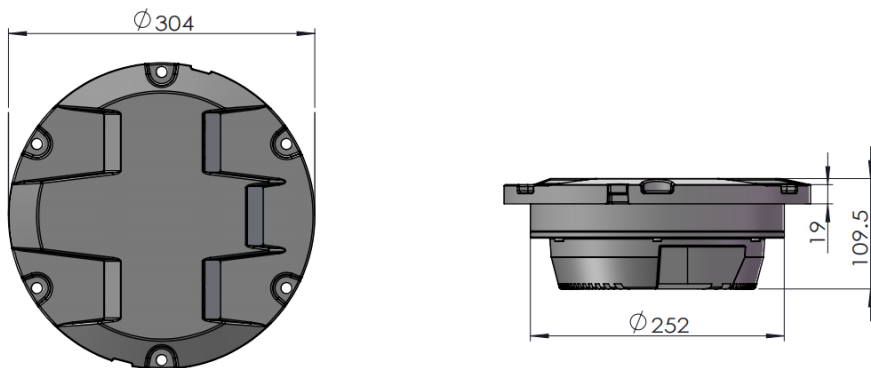


ILB-ASR-Red

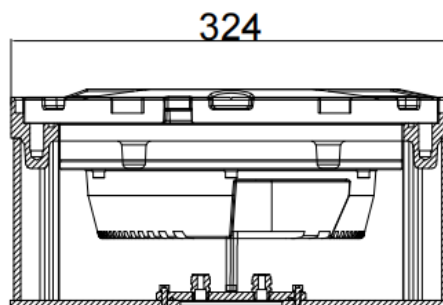
COLOR COORDINATES



DESIGN

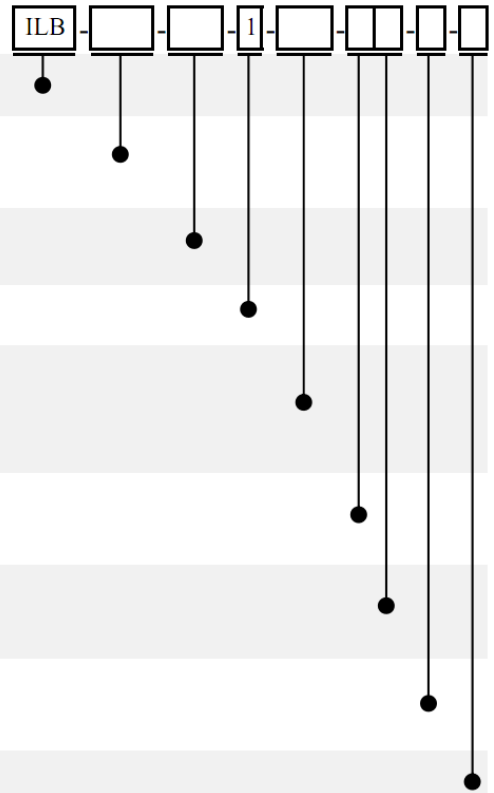


INSTALLATION



Light On 12" Shallow Base

ORDERING CODE



Light Structure

ILB: Inset 12" Light

Function / Application

APH: Approach Center Line Light

ASR: Approach Side Row Light

Color^①

W0: White, R1: Red Left Toe-in, R2: Red Right Toe-in

Inputs

1: Single Input

Fail Open

FOM: Fail Open Manual-reset

FOA: Fail Open Automatic-reset

FON: No Fail Open

Prism

C: Conventional Prism

R: Reinforced Prism

Top Cover

S: Standard Cover

R: Reinforced Cover

Ground Pole

G: Ground Pole Contains Ground Wire(500mm)

N: Ground Pole Only

Version

Customize: This option is not filled in by default, unless otherwise required

ORDERING CODE NOTES

① We can provide color including "W0", "R1", "R2", Figure1

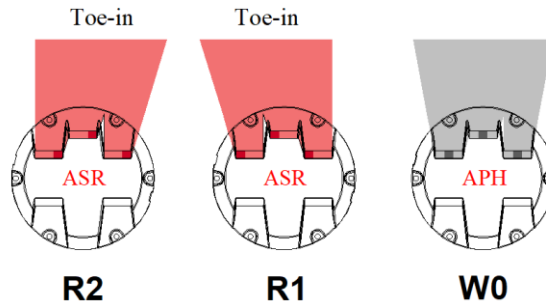


Figure1 (Overlook View)